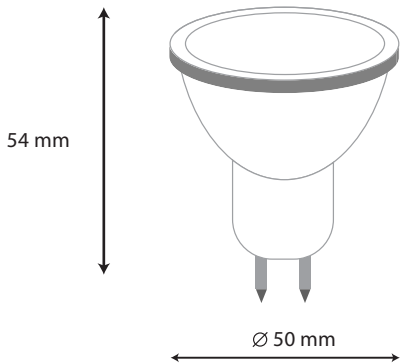




DIMENSION



PRODUCT

Name	MR16 LED Lamps
Reference	EL-MR16-6.5WS
Bulb Shape	Circular
Bulb Finish	Clear
Bulb diameter	Ø 50mm
Nominal Length	54mm
RoHS compliant	Yes
Cap/Base	MR16
Ingress Protection	IP20

LIGHTING INFORMATION

Light source	LED
Gross luminous flux	650 Lm
Power	6.5 W
Colour temperature CCT	3000 / 4000 / 6500 K
Colour Rendering Index	CRI = 80
Light beam angle	45°
Dimming	Non Dimmable
Median useful Life	25,000 hours

ELECTRICAL DATA

Power	6.5 W
Power Factor	0.9
Voltage	220 - 240V
Frequency (Hz)	50/60 Hz

PHOTOMETRIC DETAILS

