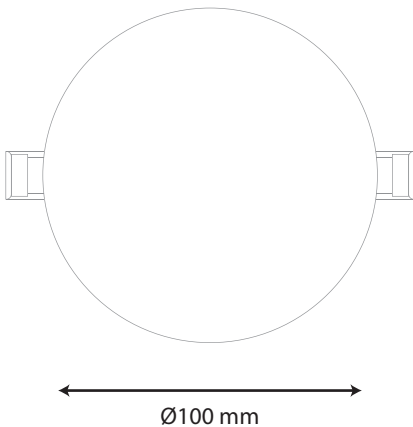




DIMENSION



PRODUCT

Name	BCL LED Panel light
Reference	EL-BCL-32W-5
Body color	White
Material	Aluminum
Category	Surface

LIGHTING INFORMATION

Light source	LED
Gross luminous flux	4160Lm
Power	32W
Colour temperature CCT	3000 / 4000/ 7000 K
Colour Rendering Index	CRI = 90
Light beam angle	120°
Number of LEDs	75
Chip Type	SMD2835
Dimming	Non Dimmable
Median useful Life	25,000 hours

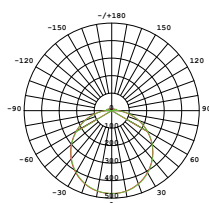
OTHER DATA

Light Guide Panel (LGP)	Polystyrene (PS)
Ingress Protection	IP20
Dimension (mm)	Ø 220mm

DRIVER OPTIONS

ON / OFF	
Class II	
Frequency (Hz)	50/60 Hz
Power Factor	0.6
Mains voltage	AC 85-265V
Ingress Protection	IP20
Isolated Driver	Yes

PHOTOMETRIC DETAILS



2m	117.4, 477.42m	220.47mm
3m	29.46, 119.33m	670.26mm
4m	12.46, 51.941m	1090.41mm
5m	7.346, 29.845m	1361.86mm
6m	4.768, 18.181m	1671.56mm
8m	2.566, 10.265m	2613.29mm
10m	1.606, 6.161m	3290.29mm
15m	1.037, 3.603m	2682.77mm
20m	0.748, 2.891m	2613.29mm
30m	0.516, 1.974m	2064.71mm